

C2

↑ Izeja  
Exit

Bagāžas saņemšana  
Baggage claim

Transfers  
Transfer A,B

ACRYLIC LIGHT DIFFUSING SHEET  
Lumaire Wayfinding



ACRYLIC LIGHT DIFFUSING SHEET

## Lumaire Wayfinding



- Frame Thickness is just 15mm (single or double-sided)
- Brightness up to 11000lx on the surface depending on size
- Single or double sided, curved
- Low power consumption
- Wide application possibilities, from interior design to signage
- Opal acrylic 2mm
- PVC film

Lumaire Wayfinding is an opal acrylic light diffusing sheet with PVC print. The LED light panel is specifically suitable for directional sign lighting.

SUPPORT 24/7, PROTECTION & WARRANTY



VARIATIONS

**1.-2. Wayfinding wall fixation**

Affix your Lumaire Wayfinding to the wall anywhere you need with one simple click.

**3. Wayfinding one-sided**

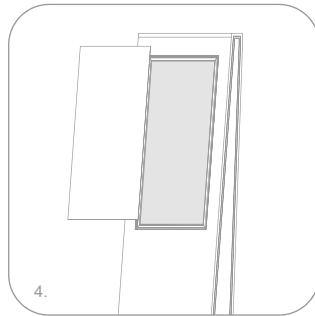
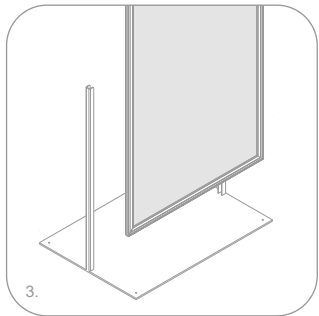
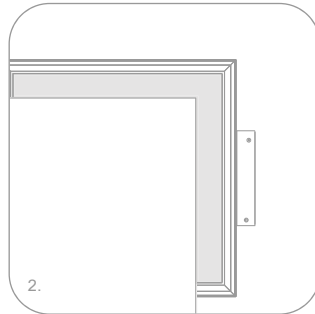
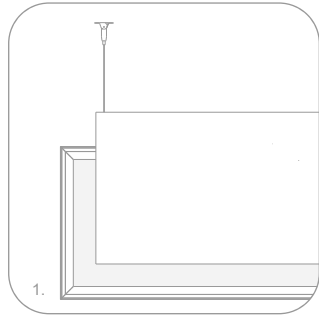
Lumaire Wayfinding with reflector emits light from the front.

**4.-6. Wayfinding portable stand**

Two-sided Lumaire Opal emits light from both the front and rear of the surface. Portable stand is a mobile installation that facilitates the use of the LED panel.

TECHNICAL SPECIFICATIONS

Main material	Led Strip Power	Maximum size	Lifetime	Operating temperature	Color Temperature
Clear acrylic (PMMA)	15W/M	5000 x 1250 mm	> 50,000 hours	-30°C ~ + 40°C	 3000 K  4000 K  5000 K  6500 K  CCT (Special order)  RGB (Special order)
IP RATING	Luminous efficiency	Power supply	Working voltage	Input voltage	
IP 20	up to 160lm/W	DC 12V / 24V / CC Adaptor	DC 12V / DC 24V /CC	AC 100 ~ 240V 50/60Hz	



FIXING SYSTEM

## Mounting example

**1. Two-point cable fixation**

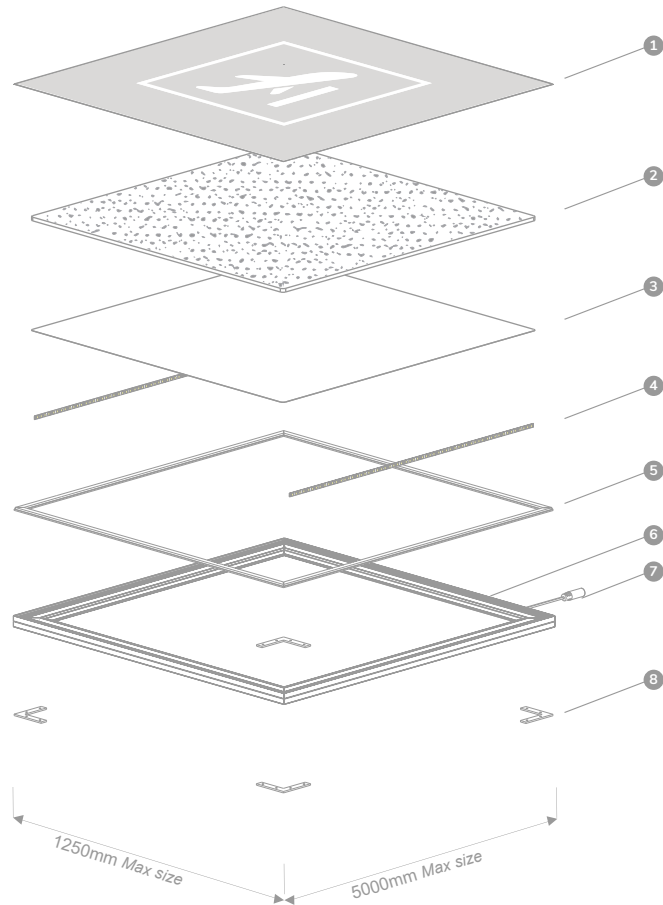
*max 2000mm, max 20kg*

**2. Wall fixation**

**3. Portable stand**

*\*The largest stands start from 100 cm high.*

**4. Portable stand**



PRODUCT STRUCTURE

## Technical & usage

- |                     |                    |
|---------------------|--------------------|
| 1. PVC film         | 5. Magnet          |
| 2. Acrylic sheet    | 6. Aluminium frame |
| 3. Difuzer lumaire  | 7. DC cable        |
| 4. Lumaire LED tape | 8. Brackets        |

### Print

Final step of the light panel is to choose, design and manufacture the desirable print you want to light up. Every standard PVC film and rigid print works perfectly with Leddex light panels

### Acrylic sheet

The most important part of the light panel. Acrylic sheet design for even light distribution on the entire surface of the product, leaving no room for hot spots or darker areas you want to light up

### Reflector

A flexible material designed for supreme light reflection and color enhancement, making the most of LED lighting and acrylic sheet

### Lumaire LED tape

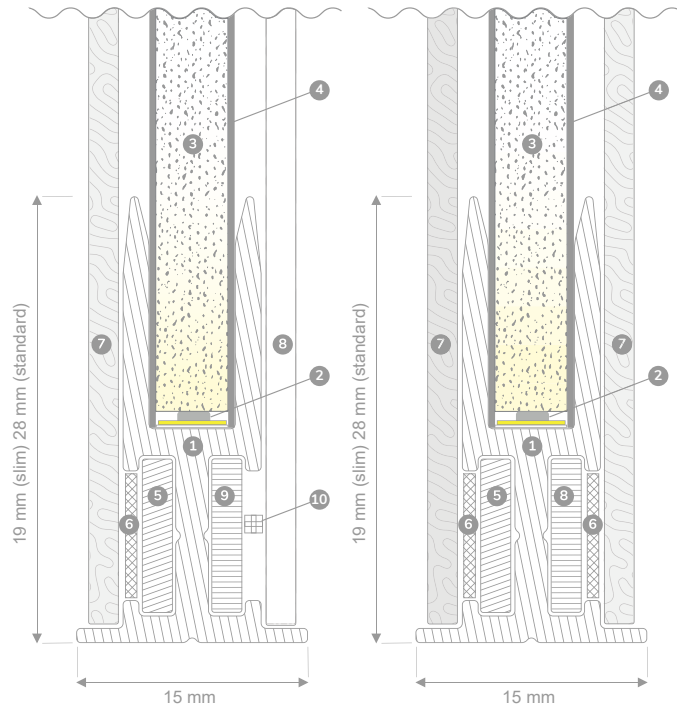
High power LED strips with integrated Intelligent Control (IC) system for ultimate reliability and maximum lighting effect.

### Magnetic frame

To deal with the heat LED bar is generating, high cooling efficiency aluminum frame are used to cool down the LED bar and to ensure optimal operating temperatures and long life span of the product

LUMAIRE PROFILES

# Lumaire Magnetic frame components



Magnetic Led panel - SINGLE

Magnetic Led panel - DOUBLE

MAGNETIC LED PANEL - DOUBLE

1. Aluminum frame
2. Lumaire LED tape
3. Acrylic sheet
4. Difuzer lumaire
5. Magnet
6. Metal strip
7. PVC film
8. Brackets

MAGNETIC LED PANEL - SINGLE

1. Aluminum frame
2. Lumaire LED tape
3. Acrylic sheet
4. Reflector lumaire
5. Magnet
6. Metal strip
7. PVC film
8. Aluminum back plate\_optional
9. Brackets \_L shape
10. Screw



LUMAIRE LED DESIGN

Lighting Projects

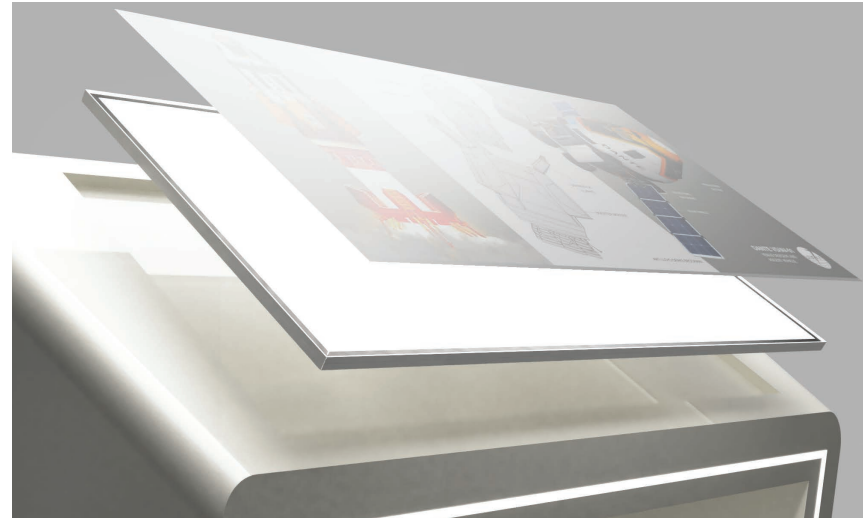
Lumaire Wayfinding is an LED light sheet that we use for creating airport information signs, and Riga airport is our project.

PRODUCT  
Lumaire Wayfinding





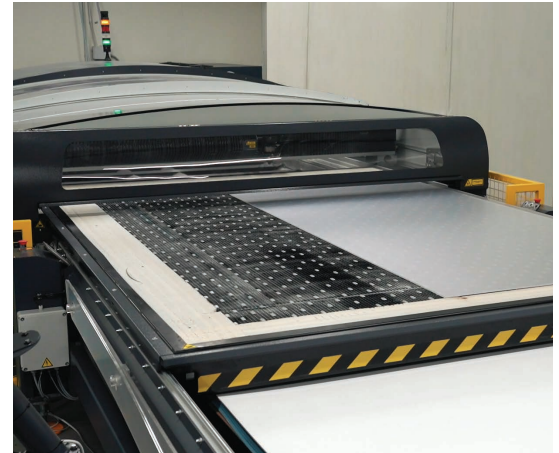
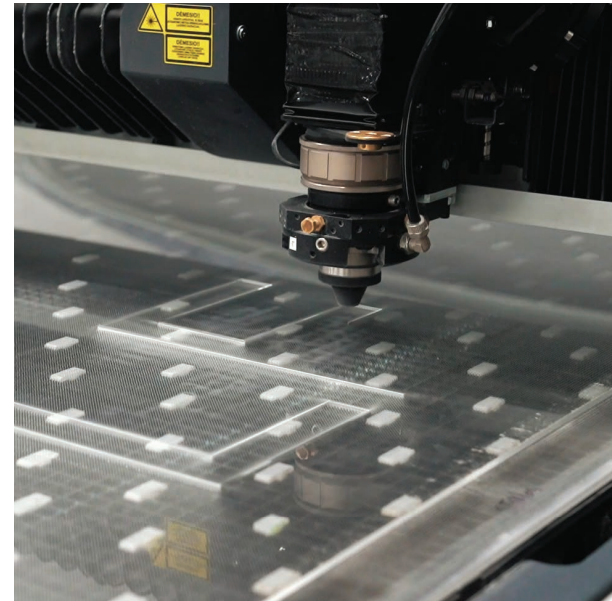
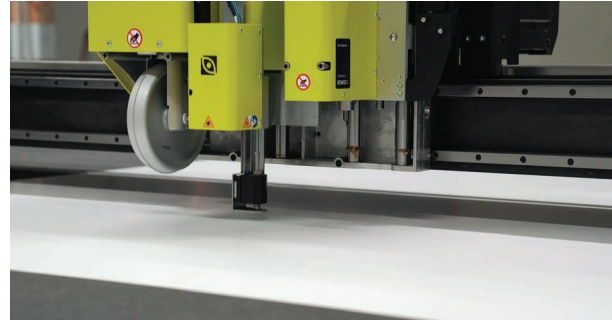
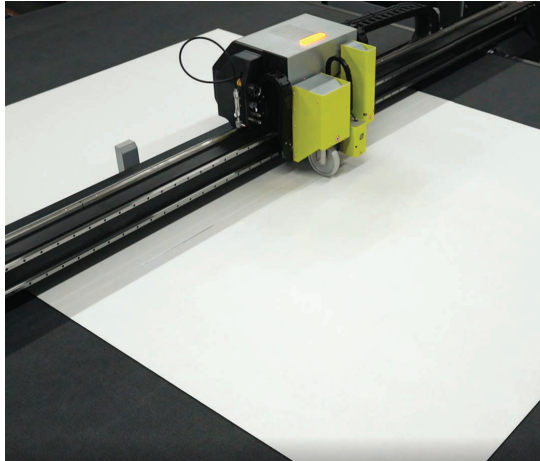




DESIGN OPTIONS

PRODUCT  
Lumaire Wayfinding





## MANUFACTURE

### LED light sheet | Made in Lithuania

Lumaire are the only such LED panel lighting manufacturers in Lithuania.

