



LUMAIRE

LED LIGHT SHEETS/DESIGN – MANUFACTURE – ILLUMINATE PROJECTS



ONE CLICK BACKLIT LIGHTING DESIGN

Lumaire Magnetic



ONE CLICK BACKLIT LIGHTING DESIGN

Lumaire Magnetic



Quick and easy print replacement

- Frame thickness of just 15mm (single or double-sided)
- Brightness up to 11000lx on the surface depending on size
- Single or double sided, curved
- Low power consumption
- Wide application possibilities, from interior design to signage
- (OPAL) or clear acrylic 2mm
- Easy changeable image print

One step, that's what you need to get your Lumaire Magnetic LED panel ready. The product is one of the most popular advertising solutions for a reason. The magnet inside the frame seals the sheets in a second. Unseal them even quicker. Place the suction cup on the surface and replace the backlit (the print image inside the panel) instantly as many times as you need for your advertising purposes.

SUPPORT 24/7, PROTECTION & WARRANTY



VARIATIONS

1. Magnetic one-sided

Luminaire Magnetic with a reflector covering the backlit acrylic panel emits light on the front side of the surface.

2. Magnetic two-sided

The diffuser in the magnetic LED panel composition replaces the reflector, so the backlit acrylic sheet emits light over its entire surface, both front and back.

3. Magnetic curved

Luminaire Magnetic LED light panels may be either flat or curved. All designs feature high-quality resolution, homogenous and balanced intensity light. The curve depends on the size of the panel.

4. Portable stand – large

Choose a portable stand to your Luminaire Magnetic panel. The largest stands start from 100 cm high.

5. Portable stand – medium

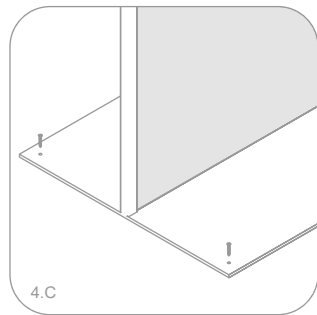
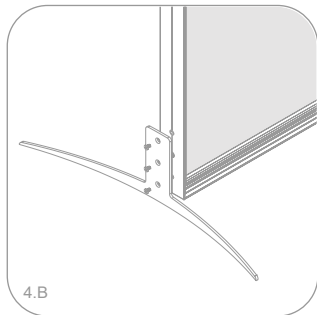
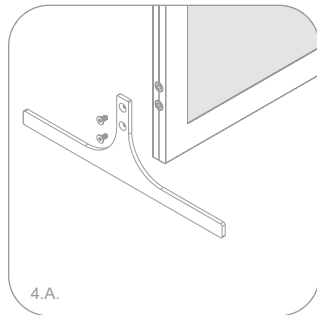
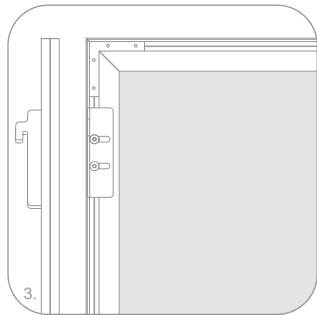
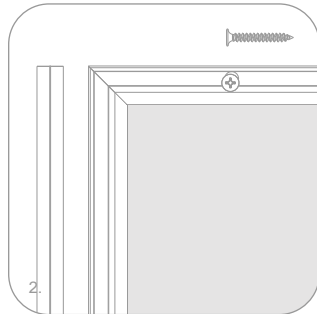
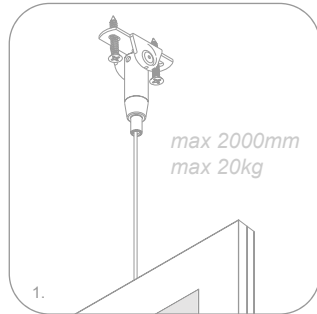
Medium size stands are up to 100 cm high and 50 cm width. The stand has curved legs.

6. Portable stand – small

The smallest portable stands you can pick are up to 50 cm high.

TECHNICAL SPECIFICATIONS

Main material	Led Strip Power	Maximum size	Lifetime	Operating temperature	Color Temperature
Clear acrylic (PMMA)	15W/M	2800 x 1250 mm	> 50,000 hours	-30°C ~ + 40°C	 3000 K  4000 K  5000 K  6500 K  CCT (Special order)  RGB (Special order)
IP RATING	Luminous efficiency	Power supply	Working voltage	Input voltage	
IP 20	up to 160lm/W	DC 12V / 24V / CC Adaptor	DC 12V / DC 24V / CC	AC 100 ~ 240V 50/60Hz	



FIXING SYSTEM

Mounting example

1. Two-point cable fixation
2. Pre Drill installation \varnothing 3,5mm
3. Gondola shelving
4. Portable stand

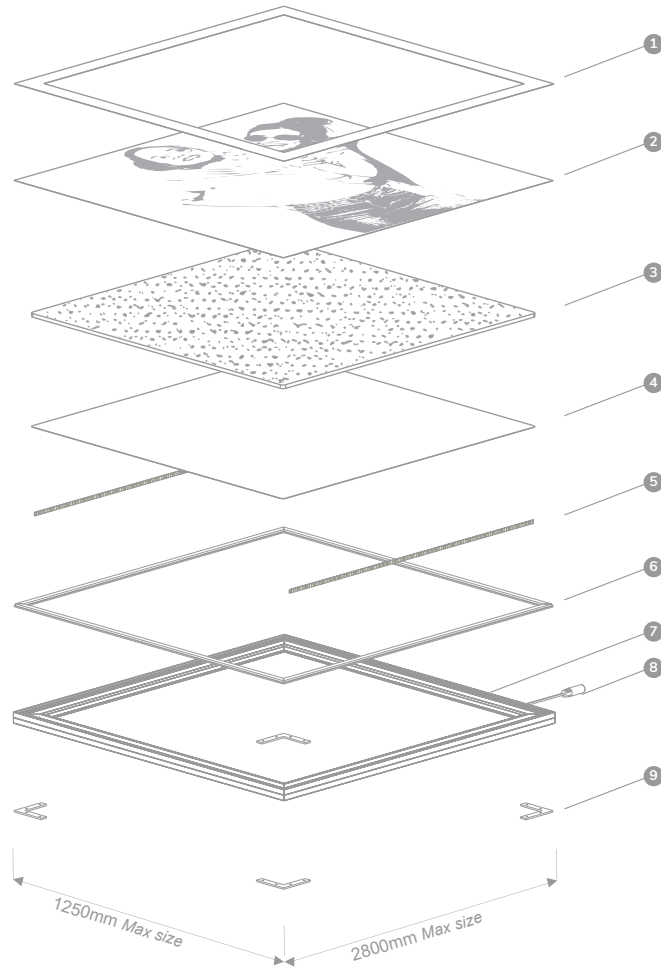
A. *small – up to 50 cm high

B. *medium – up to 100 cm high

C. *large – up to 100 cm high

PRODUCT STRUCTURE

Technical & usage



- | | |
|--|---------------------|
| 1. Protective acrylic sheet_1,8 mm thick | 5. Lumaire LED tape |
| 2. Print - backlit | 6. Magnet |
| 3. Acrylic sheet | 7. Aluminium frame |
| 4. Difuzer lumaire | 8. DC cable |
| | 9. Brackets |

Protective acrylic sheet

For your convenience, light panel with a protective acrylic sheet which ensures easy print change in just several minutes

Print

Final step of the light panel is to choose, design and manufacture the desirable print you want to light up. Every standard back-lit and rigid print works perfectly with Leddex light panels

Acrylic sheet

The most important part of the light panel. Acrylic sheet design for even light distribution on the entire surface of the product, leaving no room for hot spots or darker areas you want to light up

Reflector

A flexible material designed for supreme light reflection and color enhancement, making the most of LED lighting and acrylic sheet

LED strips

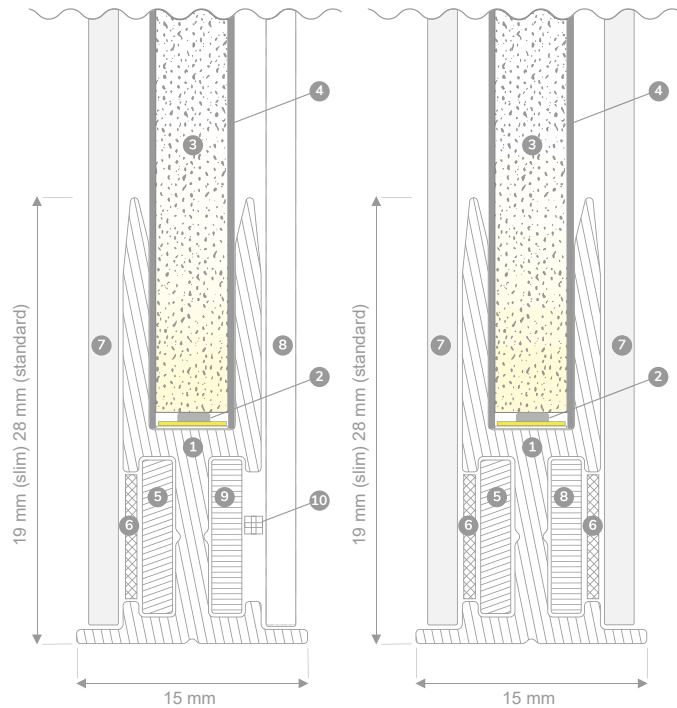
High power LED strips with integrated Intelligent Control (IC) system for ultimate reliability and maximum lighting effect.

Magnetic frame

To deal with the heat LED bar is generating, high cooling efficiency aluminum frame are used to cool down the LED bar and to ensure optimal operating temperatures and long life span of the product

LUMAIRE PROFILES

Lumaire Magnetic frame



Magnetic Led panel - SINGLE

Magnetic Led panel - DOUBLE

MAGNETIC LED PANEL - DOUBLE

1. Aluminium frame
2. Lumaire LED tape
3. Acrylic sheet
4. Difuzer lumaire
5. Magnet
6. Metal strip
7. Protective acrylic sheet_1,8 mm thick
8. Brackets

MAGNETIC LED PANEL - SINGLE

1. Aluminium frame
2. Lumaire LED tape
3. Acrylic sheet
4. Reflector lumaire
5. Magnet
6. Metal strip
7. Protective acrylic sheet_1,8 mm thick
8. Aluminum back plate_optional
9. Brackets _L shape
10. Screw



PRINT - BACKLIT SIZE

Recommended poster size

* Suggested Poster size should be 10mm smaller than external frame

EXTERNAL SIZE	PRINT SIZE	VISIBLE SIZE	
		Standart frame	Narrow frame
500 x 700	490 x 690	441 x 641	457 x 657
1000 x 700	990 x 690	941 x 641	957 x 657
297 x 210 <i>A4</i>	287 x 200	238 x 151	254 x 167
297 x 420 <i>A3</i>	287 x 410	238 x 361	254 x 377
420 x 594 <i>A2</i>	410 x 584	361 x 535	377 x 551
594 x 841 <i>A1</i>	584 x 831	535 x 782	551 x 798
841 x 1189 <i>A0</i>	831 x 1179	782 x 1130	798 x 1146
2800 x 1250 <i>Max size</i>	2790 x 1240	2741 x 1191	2757 x 1207

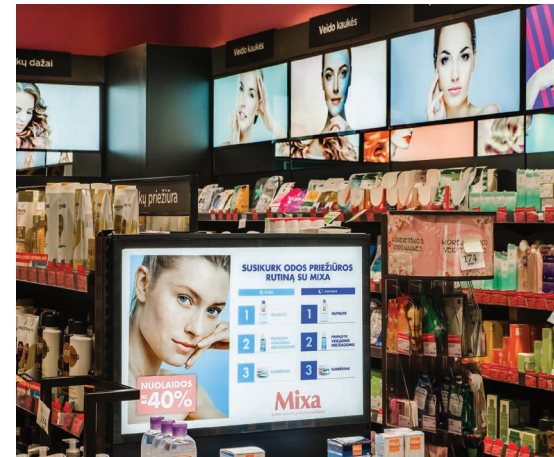


LUMAIRE LED DESIGN

Lighting Projects

Drogas use Lumaire Magnetic to illuminate advertising in their stores. The LED light sheets were installed on Gondola shelving.

PRODUCT
Lumaire Magnetic





LUMAIRE LED DESIGN

Lighting Projects

Lumaire Magnetic lights up Benu pharmacy stores in every major city of Lithuania.

PRODUCT
Lumaire Magnetic





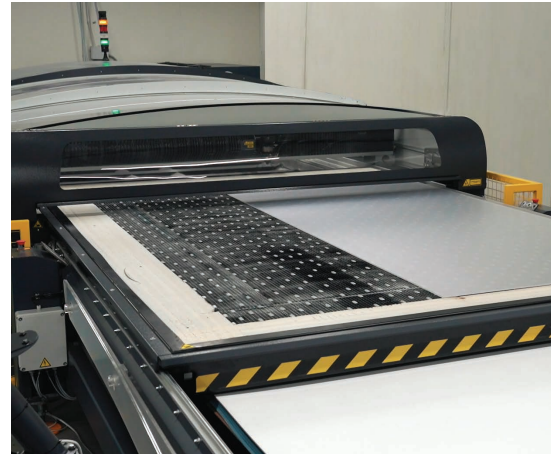
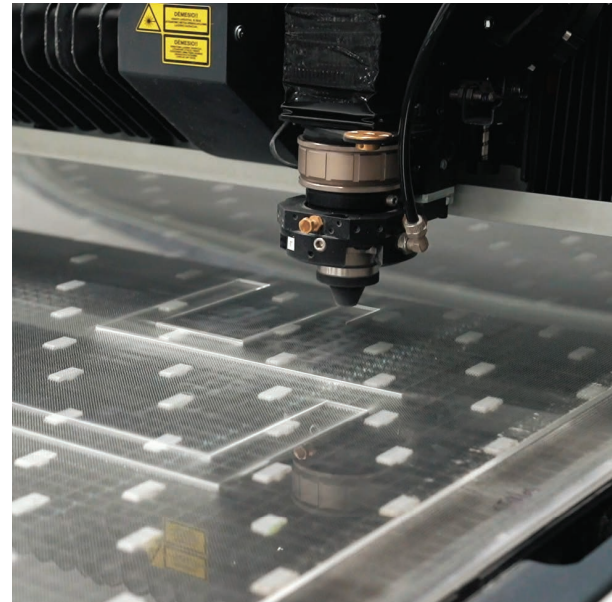
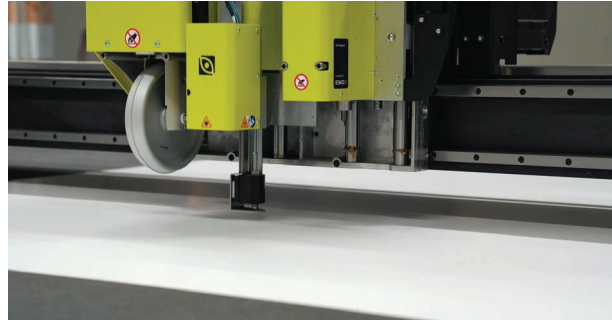
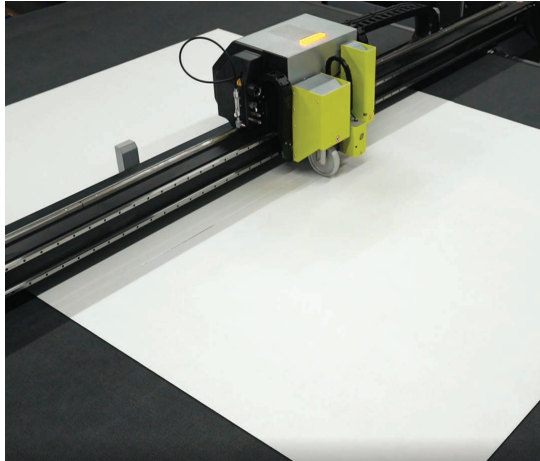
LUMAIRE LED DESIGN

Lighting Projects

Lumaire designed LED light sheets illuminate print ads across Optometrija stores.

PRODUCT
Lumaire Magnetic





MANUFACTURE

LED light sheet | Made in Lithuania

Lumaire are the only such LED panel lighting manufacturers in Lithuania.

